

Description

GSM-GB2 is a telephone interface for GB2 systems from Golmar. This module transfers the call to a telephone number through the GSM network in case the call can not be answered from the monitor. This module requires a SIM card.

GB2 is a pure 2 wires solution, the perfect system for villas and medium size buildings up to 22 apartments*. The system is very convenient for retrofit, thanks to its full digital transmission of audio, video and data, what makes it suitable for any type of wires. The system's wiring is not polarized, becoming GB2 an easy-to-install intercom solution. Reach its maximum performance using RAP-2150 cable and reach up to 160 meters from the entrance panel to the last monitor.



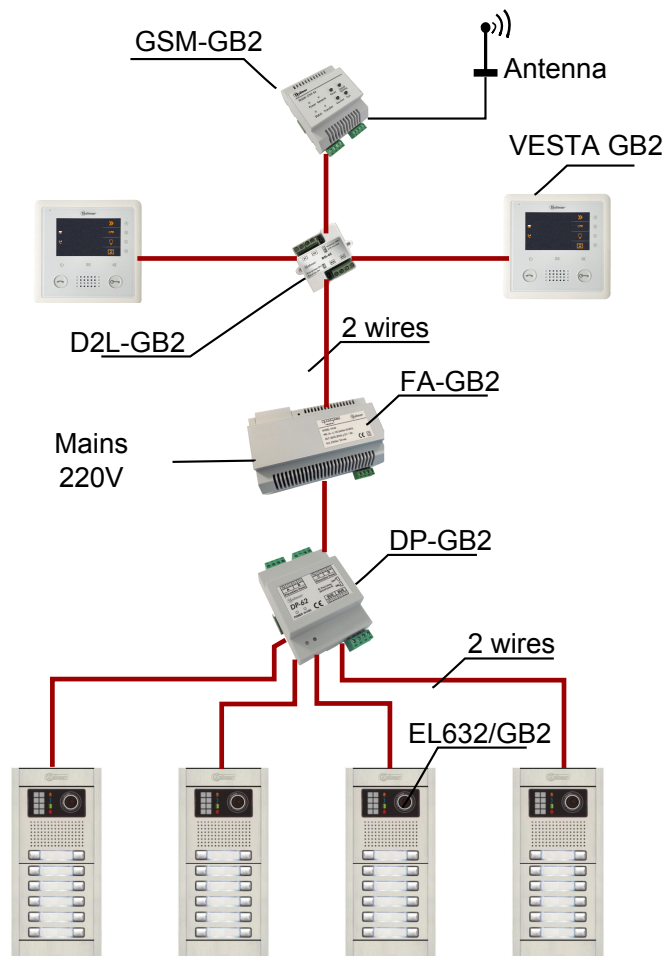
Dimensiones: 72 (W) 100 (H) 60 (D) mm

Features

- Requires a SIM card.
- Each monitor unit can transfer the call to a different telephone number.
- Connector for antenna (the antenna is included).
- BUS-in and BUS-out connectors.
- GSM network test button.
- Call transfer test button, it calls telephone number recorded in the monitor set as code zero.
- Allows to open the door from the telephone.
- Call transfer settings: transfer always, transfer if no answer, transfer disabled.

Options

Diagram



For further information download the instructions manual.

Due to continuous product improvement, all colors, sizes, materials, finishes and specifications, are subject to change without notice.

* The number of units connected in a GB2 system, can be expanded by using the digital repeater RD-GB2.

